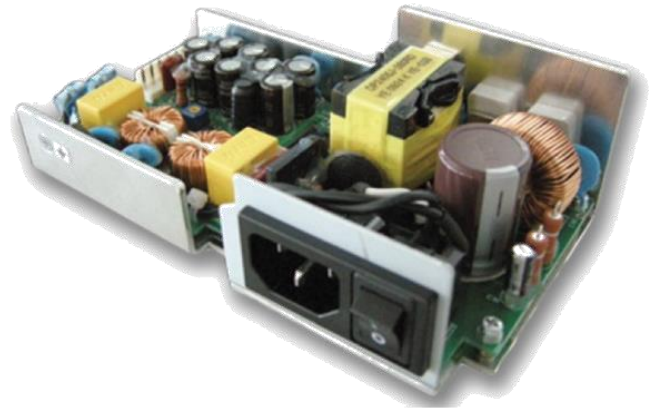




PSU-120-24DM

Product Features:

- Universal AC Input
- Custom Package Measuring 6.00" x 3.23" x 1.89"
- Integral Power Entry Module with Switch
- Convection Cooling (No Fans)
- Meets FCC & EN Class B EMI
- Worldwide Safety Approval



Input Specifications:

| | |
|------------|--|
| VOLTAGE | Universal Input (90 ~ 264VAC) |
| FREQUENCY | 47-63Hz |
| INRUSH | 25A @ 230 VAC Input Range (Max Cold Start) |
| CURRENT | 2.5 A @ 230 VAC (Max Continuous) |
| PROTECTION | Single 5A Fuse / 250 VAC |
| LEAKAGE | 600uA Max @ 264 VAC |
| HOLD-UP | 10ms @(230 VAC & Full Load) |
| EFFICIENCY | ≥ 80% @230AVC |
| HARMONICS | EN61000-3-2 Class D Compliant (>98% PF) |

General Specifications:

| | |
|-----------------|---|
| OPERATING TEMP. | -20 ~ +70°C (Derate 2.5% per °C above 50°C) |
| STORAGE TEMP. | -40°C ~ +85°C |
| COOLING | Convection |
| HUMIDITY | 5% ~ 95% (Non-condensing) |
| VIBRATION | 10-55Hz, 2G, 3min Period/60 min each(3 axes) |
| SHOCK | 20G Peak Acceleration |
| RELIABILITY | >100,000 MTBF at 100% load |
| SIZE(Inches) | 6.0" x 3.23" x 1.89" (W x L x H) (152.4mm x 82mm x 48mm) |

Output Specifications:

| | |
|------------------------|-----------------------------------|
| OUTPUT | 24VDC / 5 Amps |
| ADJUSTMENT RANGE | ±5% (Minimum) |
| LINE REGULATION | ±0.5% Max over entire input rang |
| LOAD REGULATION | ±0.5% Maximum |
| RIPPLE | ±1% (20MHz) BW |
| SETPOINT ACCURACY | ±0.5% |
| EXCURSION | ±5% Max for 25% Step Load |
| RECOVERY | 100ms Max |
| OVER CURRENT | 110~150% (Auto Recovery) |
| OVERVOLTAGE PROTECTION | 120~140% (Recycle input to reset) |

Electromagnetic Compatibility: (TBD)

| | |
|-------------------------|---|
| EMISSIONS | EN55022 Level B (Conducted) |
| ELECTROSTATIC DISCHARGE | EN61000-4-2,4KV Contact/ 8KV Air |
| RADIATED SUSCEPTIBILITY | EN61000-4-3, 26-1000MHz, 10V/M, 80%AM |
| EFT / BURSTS | EN61000-4-4,2KV |
| SURGES | EN61000-4-5, 2kV Earth, 1kV Line-Line |
| CONDUCTED IMMUNITY | EN61000-4-6, 0.15-800MHz, 10V 80% |
| VOLTAGE DIPS | EN61000-4-10, 95% Dip & 10ms, 30% Dip & 500ms |
| VOLTAGE INTERRUPTIONS | EN61000-4-11, 95% reduction, 5ms |
| FLUCTUATIONS & FLICKER | EN61000-3-3 |

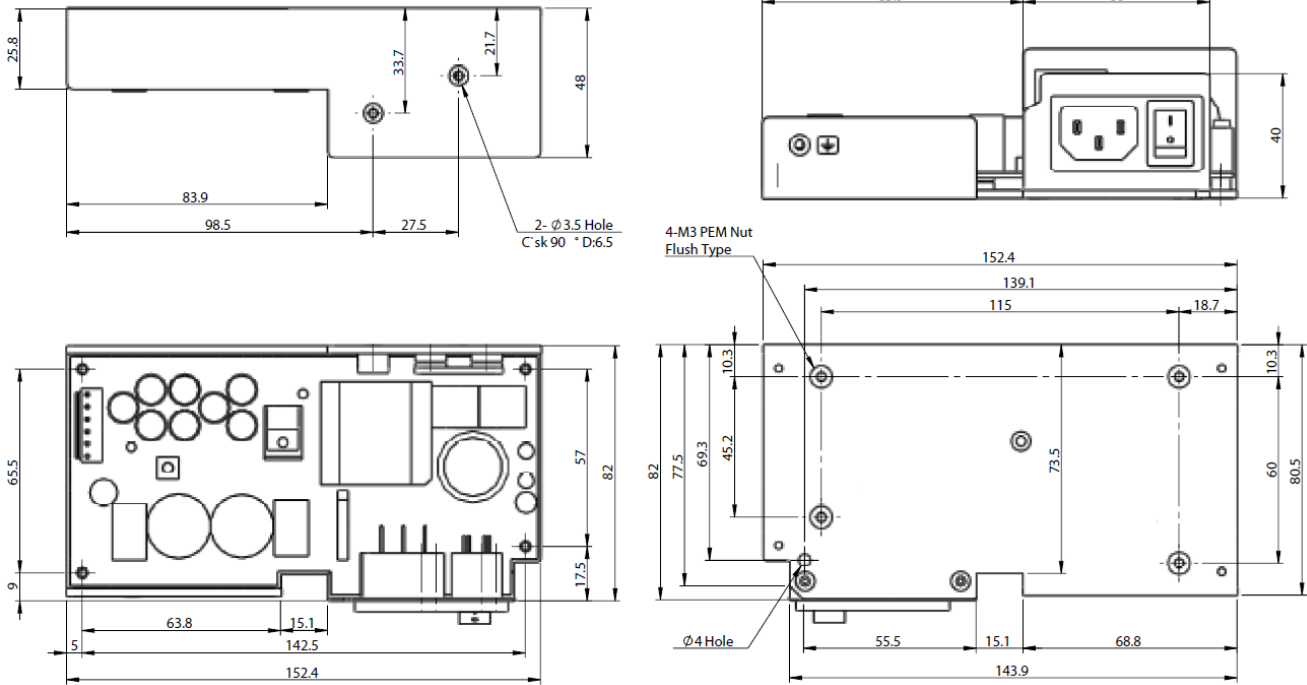
Safety Standards:

| | |
|------------------|-----------------------|
| UL / CUL 60950-1 | E166582 |
| CE MARK | Low Voltage Directive |



PSU-120-24DM

Outline Drawing:



Output Mating connector(Housing) :
YH396-06V (Yeonho Electronics) or equivalent

| Pin: | Function |
|-------|----------|
| 1,2,3 | +24V |
| 4,5,6 | Return |

The input connector is an IEC Inlet Connector:
Solteam P/N SC10-1BPP-2C1A

