

Power Supply Unit type AC/DC Converter

MG-PSU

+30V/10A, +5.1V/10A, +27.3V/0.9A



HIGHLIGHTS

- **Modular design for accommodating small size applications and easy maintenance**
- **Plug and play**
- **Isolated Output**
- **Parallel available**
- **FAN cooling**
- **Application : IPECS-MG System(Key Phone)**

GENERAL SPECIFICATIONS

INPUT

- Voltage.....1 ϕ AC 110/220VAC
- Efficiency \geq Typically 80%

OUTPUT

- Nominal output(Ch1) +30V/10A
- Nominal output(Ch2) +5.1V/10A
- Nominal output(Ch3) +27.3V/0.9A
- Ripple & Noise \leq 50/100mVp-p(0Hz~10MHz)

ENVIRONMENT

- Operating Temperature.....0 $^{\circ}$ C ~ +50 $^{\circ}$ C
- Operating Relative Humidity.....0% ~ 85%
- Storage Temperature.....-25 $^{\circ}$ C ~ +85 $^{\circ}$ C
- Storage Relative Humidity.....0% ~ 90%

FUNCTION

- Input Low · High Voltage Protection
- Output Over Voltage Protection
- Output Over Current Protection(at Load 110~130%)
- Output Short Protection
- Load Sharing (\pm 5%)
- Remote Feed Back

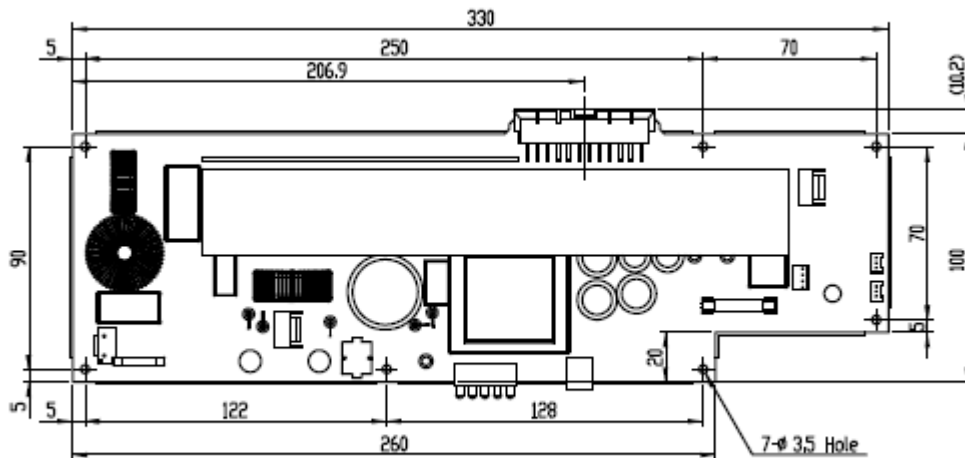
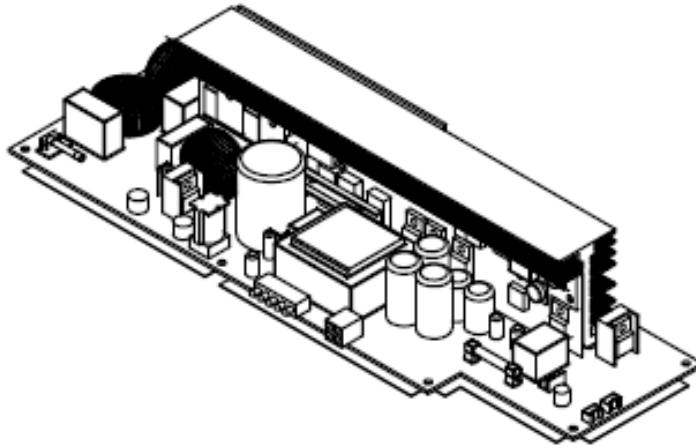
PHYSICAL DIMENSINS(W×D×H)

- 440 × 120 × 75 (mm)

AGENCY COMPLIANCES

- Standard – CISPR Pub 22/24 Class A
FCC Part15 Class A

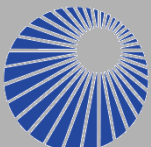
DIMENSION



POWER SOLUTION PROVIDER

<http://www.dongahlecomm.co.kr>

<http://www.dongahsua.com>



**DONGAH
ELECOMM**

Headquarters : 678-3 Jeil-ri, Yangji-myun, Cheoin-gu, Yongin-si, Gyeonggi-do, Korea 449-825
Tel. +82-31-330-5500 Fax. +82-31-330-9040

USA Branch : 1300 E Lookout Dr, #210 Richardson, TX USA 75082
Tel. +1-888-878-7331 Fax. +1-972-497-9991

Vietnam Factory : Luong Son IZ, Hoa Son Commune, Luong Son District, Hoa Binh Province
Tel. +84-218-382-6781~2