

LRRU2448

-48V/8.4A DC/DC Power

HIGHLIGHTS

- Hot Swap DC/DC Converter
- International Safety Approvals
- IP65 design for indoor or outdoor installations
- Cooling by free air convection
- High efficiency & reliability



GENERAL SPECIFICATIONS

INPUT

- Voltage..... + 24VDC
- Range..... + 20.5 ~ 30 VDC
- Inrush ≤ 50A
- Efficiency ≥ Typically 90%

OUTPUT

- Voltage..... Default - 48.0VDC
- Range..... - 43 ~ - 58VDC
- Current..... 8.4Amax
- Ripple & Noise ≤ 300mVp-p
- Line & Load Regulation ≤ ± 2% & ≤ ± 3%

PROTECTION & FUNCTION

- Input Under Voltage Alarm
- Input reverse Polarity Protection
- Output Under Voltage Alarm
- Output Over Voltage (Shut down)
- Output Current Limit (Auto recovery)
- Output Short Circuit (Auto recovery)
- Thermal Shutdown

PHYSICAL DIMENSINS(W×D×H)

- 405×72 ×187.5(mm)

ENVIRONMENT

OPERATION

- Temperature..... -30°C ~ +50 °C (Full Power)
- Relative Humidity..... 10% ~ 95%

NON-OPERATION

- Ambient Temperature..... -40°C ~ +80 °C
- Relative Humidity..... 5% ~ 95%(non-condensing)

AGENCY COMPLIANCES

- Standard – FCC Part15 Subpart J, Class A
- UL60950-1
- EN61000-4

400 W DC/DC Power

SYSTEM APPLIED PRODUCTS

LRRU2448

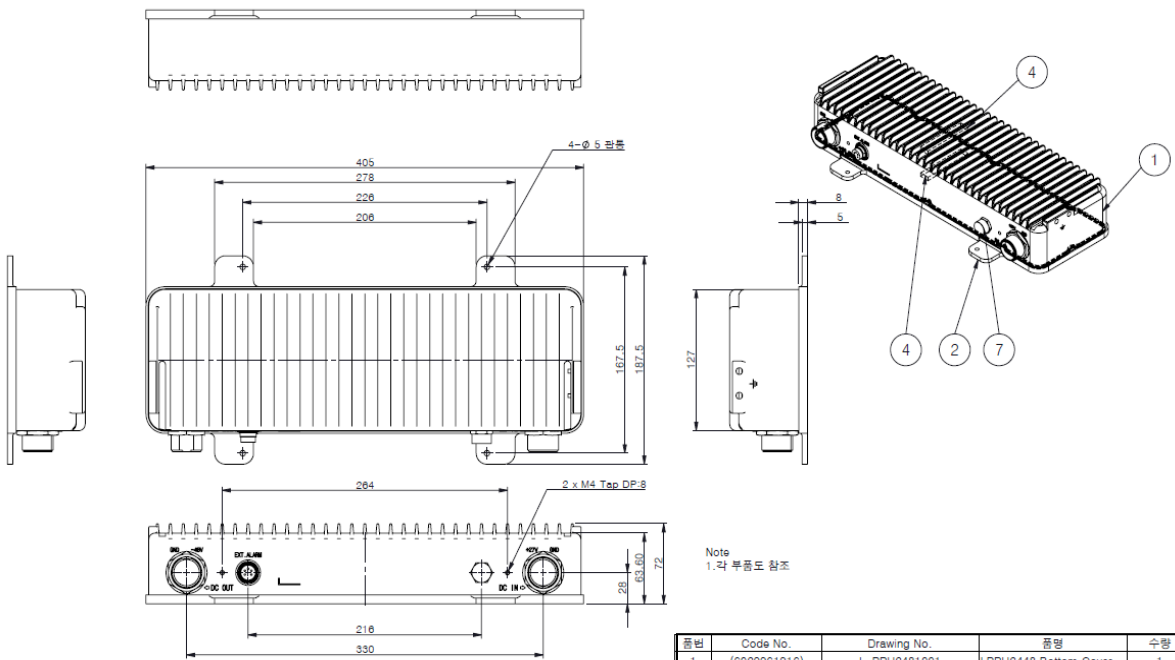
INPUT

- Voltage..... + 24Vdc
- Range..... + 20.5 ~ +30Vdc
- Efficiency ≥ Typically 90%

OUTPUT

- Voltage..... Default - 48VDC
- Current..... .8.4Amax.
- Line / Load regulation ≤ ± 2.0% & ≤ ± 3.0%

DIMENSION



품번	Code No.	Drawing No.	품명	수량
1	(6029961916)	L-RRU2481001	LRRU2448 Bottom Cover	1
2	(6029961916)	L-RRU2481002	LRRU2448 Top Panel	1
3	(6029961916)	L-RRU2481003	LRRU2448 Gasket	1
4	(6029961916)	L-RRU2481004	LRRU2448 Thermal Pad	2
7	(6029961916)	PMF100320	Poly Vent (PMF100320)	1